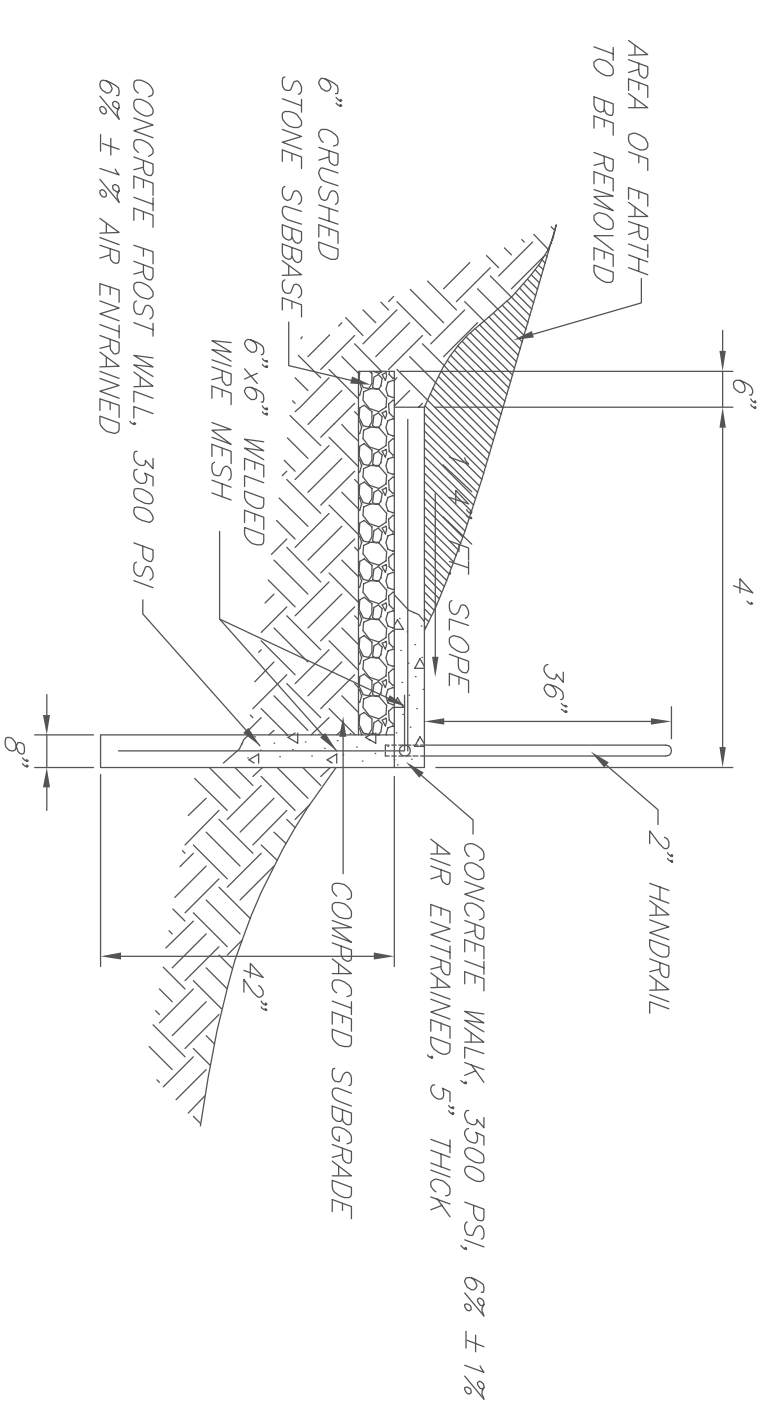


TYPICAL CONCRETE SIDEWALK DETAIL  
N.T.S.



Clark Patterson Lee  
DESIGN PROFESSIONALS

**PORTVILLE CENTRAL SCHOOL**  
IN CONNECTION WITH THE  
TOWN AND VILLAGE OF PORTVILLE

AUGUST 29, 2012

**SAFE ROUTES TO SCHOOLS 2012**

Scale: 1"=400'